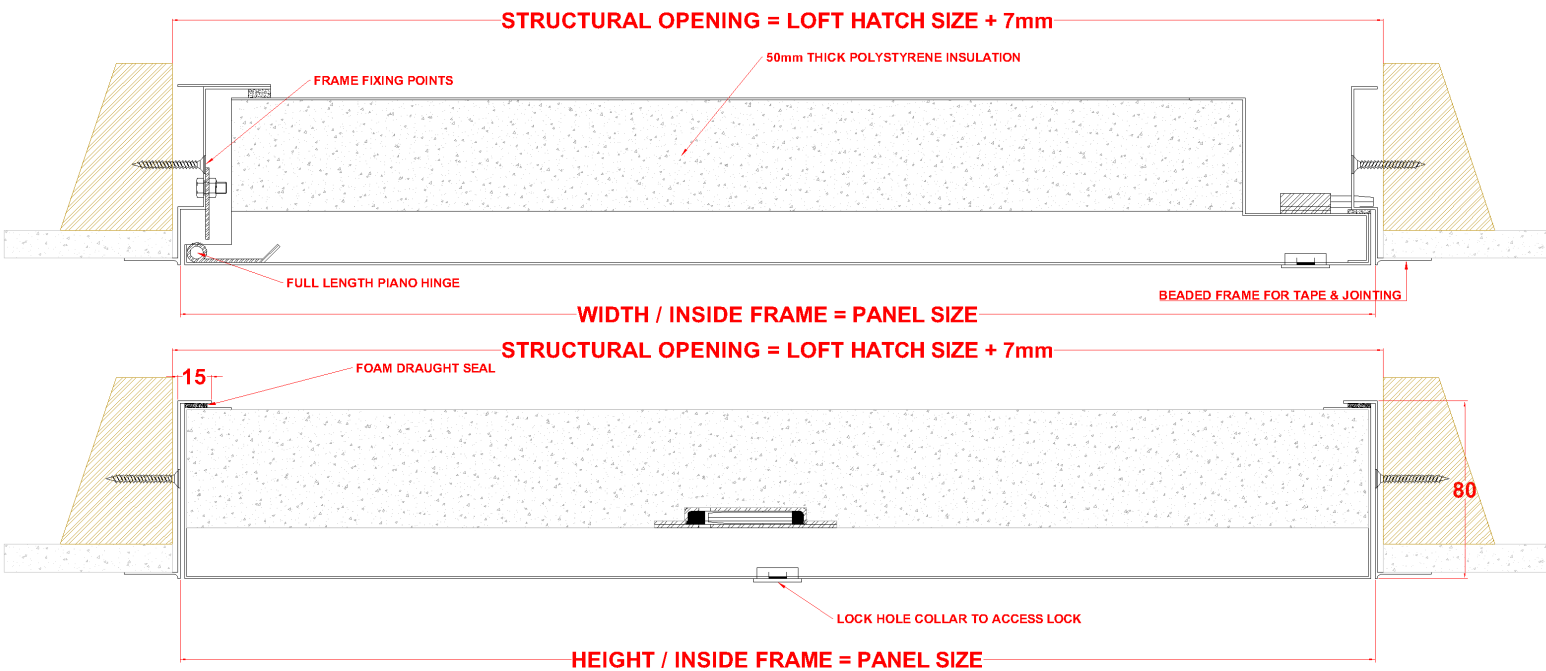


The APD.LOFT.BF range of Loft Hatch Access Panels are simple to install and suitable for ceilings where regular access to loft space is required.



Description

This Loft panel is designed to fit into a structural membrane of a joint-less plasterboard ceiling system. It is manufactured with a Beaded frame detail for tape and jointing. The panel has a Metal faced door. The panels door leaf is locked in place via a Budget Lock as standard other lock options are available upon request. The Panel is Powder Coated RAL 9010 30% Gloss. Other colours available upon request.

Tests

The Panel is Non Fire Rated .
 The Panel is not acoustic rated.
 The Panel is not Air Pressure tested.
 The Panel is not Smoke Tested.

Seals:

Intumescent Seals **NO** , Draught Seals **YES**, Acoustic Seals **NO**, Smoke Seals **NO**, Air Seals **NO**

Construction

The APD.LOFT.BF is manufactured from Zintec Steel with a 0.9mm thick Door and a 1.2mm Frame. The panels door leaf is hinged by a full length Piano Hinge. The panel is insulated with a 50mm thick Polystyrene Insulation infill. This Product achieves a U Value of 0.760 W/m²K.

Fitting

Make sure the structural opening is at least 7mm larger than the panel size, back of frame size. E.G a 600x600mm panel size requires a 607x607mm hole size. Remove the door from the frame and place the frame into the set hole. Fix through the appropriate fixing holes within the frame ensuring the frame is pushed up against the structural opening surround. Check the frame is square by measuring corner to corner. Refit door and lock in place; the door and frame should be flush. Independent bracing or support may be required to take the weight of the Loft Hatch. **(Please note that it is important that prior to applying the plaster skim coat, a joint filler and a scrim tape is applied over the junction between the beaded frame and the plasterboard in order to prevent cracking of the skim coat)**

Need Any more Help or Advice?

Contact us on:
 Tel: 01922 714073
 Email: sales@accesspanelsdirect.net